

Synaptics® CX22721 I²S 2W CODEC

AudioSmart® Product Brief

High Performance Stereo Class-D Amplifier for Advanced In-Air Playback

The Synaptics CX22721 is a high performance, stereo class-D amplifier designed to enable advanced in-air playback functionality for systems that use Synaptics Voice Processors.

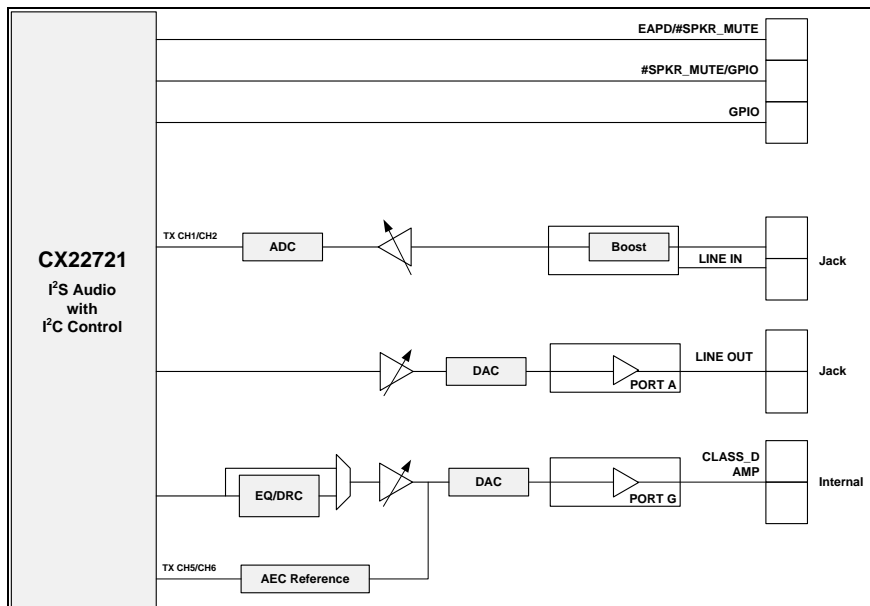
The CX22721 features I²S audio I/O with I²C control, dedicated hardware DSP effects for speaker tuning, and an Acoustic Echo Canceler (AEC) reference output optimized for Synaptics Voice solutions.

The CX22721 provides 2W per channel output with 1% distortion at 5V PVDD with a 4Ω speaker, and 1.3W per channel output with an 8Ω speaker. The Class-D amplifier uses programmable signal dynamics management and power-averaging technology to safely maximize sound pressure level.

The Synaptics SpeakerShield provides industry-leading, real-time protection with features including load-based DC detection, short-circuit, near-short, high temperature, and over-temperature protection. The device also supports a high-quality Line Out port with Headphone Drive capability.

The host interface provides selectable signaling levels of 1.8V and 3.3V. The Digital-to-Analog converters (DACs) support sampling frequencies of 44.1k, 48k, 96k, and 192kHz. Multiple General Purpose Input/Outputs (GPIOs) are available, as well as a bi-directional External Amplifier Power-Down (EAPD) function for advanced Power Management.

System Block Diagram



Dedicated hardware DSP capabilities enable a high-quality audio experience, especially as part of a closed-loop system with a Synaptics Voice Processor. This includes a 7-band/channel hardware EQ and a single-band DRC (with a single knee) which, independent of any host-based effects, can be combined to optimize speaker response and increase device loudness while simultaneously minimizing distortion.

A programmable high-pass filter on the Class-D output removes DC offset from the I²S audio channels, protecting the speakers from overheating.

Key Features

- Stereo AudioSmart Class-D Speaker Amplifier
 - Speaker Amp companion device for Synaptics Voice Processors
 - Digital I²S input and 44.1k, 48k, 96k, and 192kHz sample rate support
 - 2W output @ 1%THD (PVDD=5V, 4Ω load)
 - 1.3W output @ 1%THD (PVDD=5V, 8Ω load)
 - Programmable Dynamic Range Compression (DRC) for SPL maximization and speaker protection
 - Programmable 7-band Equalizer (EQ) for speaker/chassis tuning and distortion control
- 42-pin QFN package

Applications

- Voice-controlled STB
- Smart Bluetooth/WiFi speaker
- Voice interactive smart appliances
- Internet of Things (IoT) devices

Synaptics® CX22721 AudioSmart I²S 2W CODEC

High Performance Stereo Class-D Amplifier for Advanced In-Air Playback

Additional Features


- Stereo AudioSmart Class-D Speaker Amplifier
 - Post processed I²S reference output for advanced echo cancellation with a Synaptics Voice Processor
 - High quality, Stereo Line Out port with headphone drive capability
 - GPIOs and bi-directional EAPD for advanced power management
 - Host interface supports 1.8V or 3.3V signaling levels
- SpeakerShield real-time, load-based monitoring for DC, (near) short-circuit, and temperature protection

System Compatibility

- Stereo AudioSmart Class-D Speaker Amplifier
- I²S for Audio Streaming and I²C for control
- Windows 8.x/10
- Linux®
- Android™

Ordering Information

Ordering Part Number	Part Number	Revision	Audio Stereo Amplifier Package Type	AudioSmart Class-D	Conditions
CX22721-11Z	CX22721	-11Z	42-QFN, 5x5 mm	Yes	0 to 70°C

The devices in this publication are lead-free (Pb-Free) and China RoHS compliant. 
Contact your local Synaptics sales office for advanced software options.

Trademarks

Synaptics, the Synaptics logo, and AudioSmart, are trademarks or registered trademarks of Synaptics Incorporated or its affiliates in the United States and/or other countries.

Notice

Use of the materials may require a license of intellectual property from a third party or from Synaptics. This document conveys no express or implied licenses to any intellectual property rights belonging to Synaptics or any other party. Synaptics may, from time to time and at its sole option, update the information contained in this document without notice.

INFORMATION CONTAINED IN THIS DOCUMENT IS PROVIDED "AS-IS," WITH NO EXPRESS OR IMPLIED WARRANTIES, INCLUDING ANY IMPLIED WARRANTIES OF MERCHANTABILITY AND FITNESS FOR A PARTICULAR PURPOSE, AND ANY WARRANTIES OF NON-INFRINGEMENT OF ANY INTELLECTUAL PROPERTY RIGHTS. IN NO EVENT SHALL SYNAPTICS BE LIABLE FOR ANY DIRECT, INDIRECT, INCIDENTAL, SPECIAL, PUNITIVE, OR CONSEQUENTIAL DAMAGES ARISING OUT OF OR IN CONNECTION WITH THE USE OF THE INFORMATION CONTAINED IN THIS DOCUMENT, HOWEVER CAUSED AND BASED ON ANY THEORY OF LIABILITY, WHETHER IN AN ACTION OF CONTRACT, NEGLIGENCE OR OTHER TORTIOUS ACTION, AND EVEN IF SYNAPTICS WAS ADVISED OF THE POSSIBILITY OF SUCH DAMAGE. IF A TRIBUNAL OF COMPETENT JURISDICTION DOES NOT PERMIT THE DISCLAIMER OF DIRECT DAMAGES OR ANY OTHER DAMAGES, SYNAPTICS' TOTAL CUMULATIVE LIABILITY TO ANY PARTY SHALL NOT EXCEED ONE HUNDRED U.S. DOLLARS.